

# 800 SERIES

TELESCOPIC BOOM LIFTS



## Performance

|                              |                 |                         |
|------------------------------|-----------------|-------------------------|
| Platform Height—Elevated     |                 |                         |
| 800S                         | 80 ft           | 24.38 m                 |
| 860SJ                        | 86 ft           | 26.21 m                 |
| Horizontal Outreach          |                 |                         |
| 800S                         | 71 ft           | 21.64 m                 |
| 860SJ                        | 75 ft           | 22.86 m                 |
| Swing                        | 360° Continuous |                         |
| Platform Capacity—           |                 |                         |
| Restricted (800S)            | 1,000 lb        | 454 kg                  |
| Restricted (860SJ)           | 750 lb          | 340 kg                  |
| Platform Capacity—           |                 |                         |
| Unrestricted                 | 500 lb          | 227 kg                  |
| Platform Rotator             | 180° Hydraulic  |                         |
| Jib Range of Articulation    |                 |                         |
| 860SJ                        | 130°            | +70, -60                |
| Weight <sup>1</sup>          |                 |                         |
| 800S                         | 33,200 lb       | 15,060 kg               |
| 860SJ                        | 36,400 lb       | 16,511 kg               |
| Max. Ground Bearing Pressure |                 |                         |
| 800S                         | 72 psi          | 5.06 kg/cm <sup>2</sup> |
| 860SJ                        | 81 psi          | 5.69 kg/cm <sup>2</sup> |
| Drive Speed 2WD              | 3.5 mph         | 5.6 kmph                |
| Drive Speed 4WD              | 3.5 mph         | 5.6 kmph                |
| Gradeability 2WD             | 30%             |                         |
| Gradeability 2WD             | 45%             |                         |
| Turning Radius               |                 |                         |
| Inside                       | 12 ft           | 3.66 m                  |
| Outside                      | 22 ft 6 in.     | 6.86 m                  |

1. Certain options or country standards will increase weight.

## Standard Specifications

### Engine

|  |        |         |
|--|--------|---------|
| Dual Fuel Engine,<br>GM Vortec 3000MPFI      | 82 hp  | 61 kW   |
| Diesel Engine,<br>Deutz TD2.9L4 Tier 4 Final | 67 hp  | 50 kW   |
| Fuel Tank Capacity                           | 31 gal | 117.3 L |

### Hydraulic Reservoir

|          |                         |          |
|----------|-------------------------|----------|
| Capacity | 40 gal                  | 151.42 L |
| Pump     | Fixed Displacement Gear |          |

### Tires

15.625 Pneumatic



## Standard Features

- Inward Swinging Gate
- Dual-Rated Capacities
- Oscillating Axle
- Hydraulic Platform Rotator
- Swing-Out Engine Tray
- 12V DC Auxiliary Power
- Fuel Gauge
- All Motion Alarm
- Gull-Wing Hoods
- Operators Tool Tray
- Lifting/Tie Down Lugs
- Engine Distress Warning/Shutdown—  
Selectable via JLG Analyzer
- 6 ft (1.83 m) Articulating Jib (860SJ Only)
- Platform: 36 x 96 in. (0.91 x 2.44 m) Side Entry
- Glow Plugs (Diesel Engines)
- 110V AC Receptacle in the Platform
- 5 Degree Tilt Alarm/Indicator Light
- Hourmeter
- Control ADE® System
- Proportional Controls
- Hydrostatic Drive
- Platform Console Machine Status Light Panel\*
- 15-625 Rim Protector Lug Tread Tires

\* Provides indicator lights at platform control console for system distress, fuel level, low fuel, 5 degree tilt light and foot switch status.

## Accessories & Options

- Mesh to Top Rail
- Light Package<sup>1</sup>
- Soft-Touch System
- 15-625 Foam Filled Tires
- Catalytic Muffler
- Hostile Environment Kit<sup>3</sup>
- Tow Package
- Platform Worklights
- Platform: 36 x 72 in. (0.91 x 1.83 m)
- Fall Arrest Platform (Requires Foam Filled Tires)
- Flashing Amber Beacon
- 18-625 Foam Filled Tires
- Cold Weather Start Kit<sup>2</sup>
- Arctic Package<sup>4</sup>
- Special Hydraulic Oils (Consult Factory)
- Accessory Packages:
  - SkyWelder®
  - SkyCutter®
  - SkyPower®
  - SkyGlazier®
  - Pipe Rack
  - Nite Bright®
  - SkyAir®

1. Includes platform mounted work lights and drive/backup lights.

2. Engine block heater, battery heater and oil tank heater.

3. Includes console cover, boom wipers and cylinder bellows.

4. Includes arctic hydraulic hoses (drive and steer only and main boom cable, arctic hydraulic oil, extreme cold engine oil, anti-freeze)

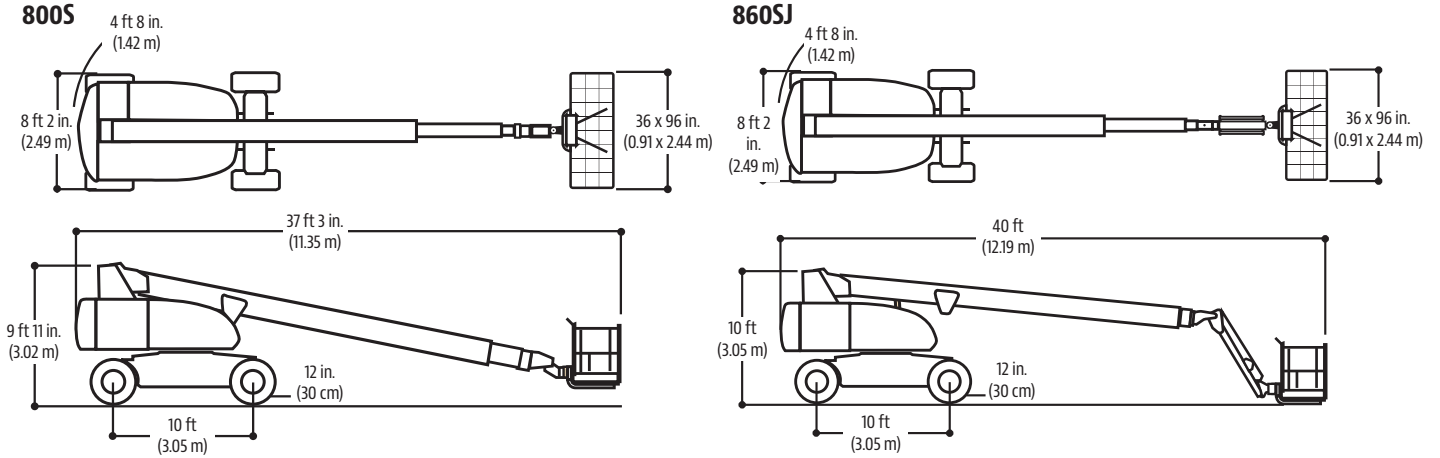
# 800 SERIES

TELESCOPIC BOOM LIFTS

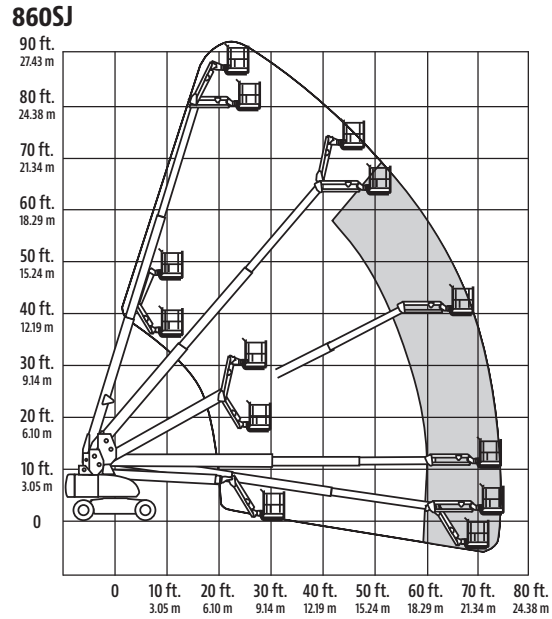
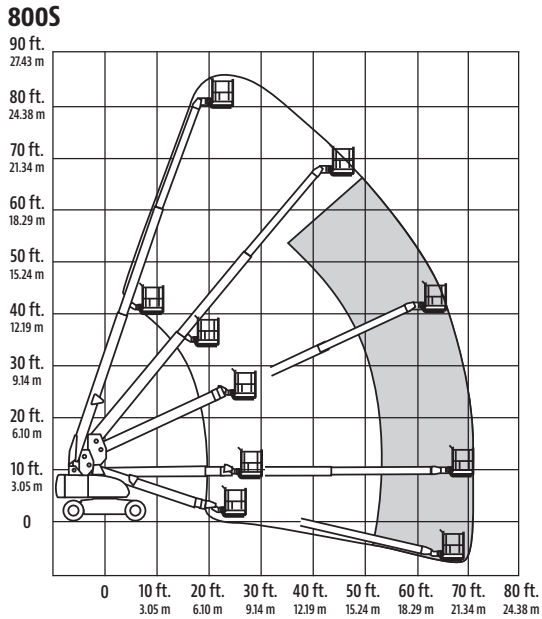


## Dimensions

All dimensions are approximate.



## Reach Diagrams



## The JLG "1 & 5" Warranty

JLG Industries, Inc. backs its products with its exclusive "1 & 5" Warranty. We provide coverage on all products for one (1) full year, and cover all specified major structural components for five (5) years. Due to continuous product improvements, we reserve the right to make specification and/or equipment changes without prior notification. This machine meets or exceeds applicable OSHA Regulations in 29 CFR 1910.67, 29 CFR 1926.453, ANSI A92.5-2006, and CSA Standard CAN3-B354.2-M82, as originally manufactured for intended applications.

Part No.: 3131024  
R031514  
Printed in USA

**JLG Industries, Inc.**  
1 JLG Drive  
McConnellsburg, PA 17233-9533  
Telephone 717-485-5161  
Toll-free in US 877-JLG-LIFT  
Fax 717-485-6417  
[www.jlg.com](http://www.jlg.com)

**An Oshkosh Corporation Company**